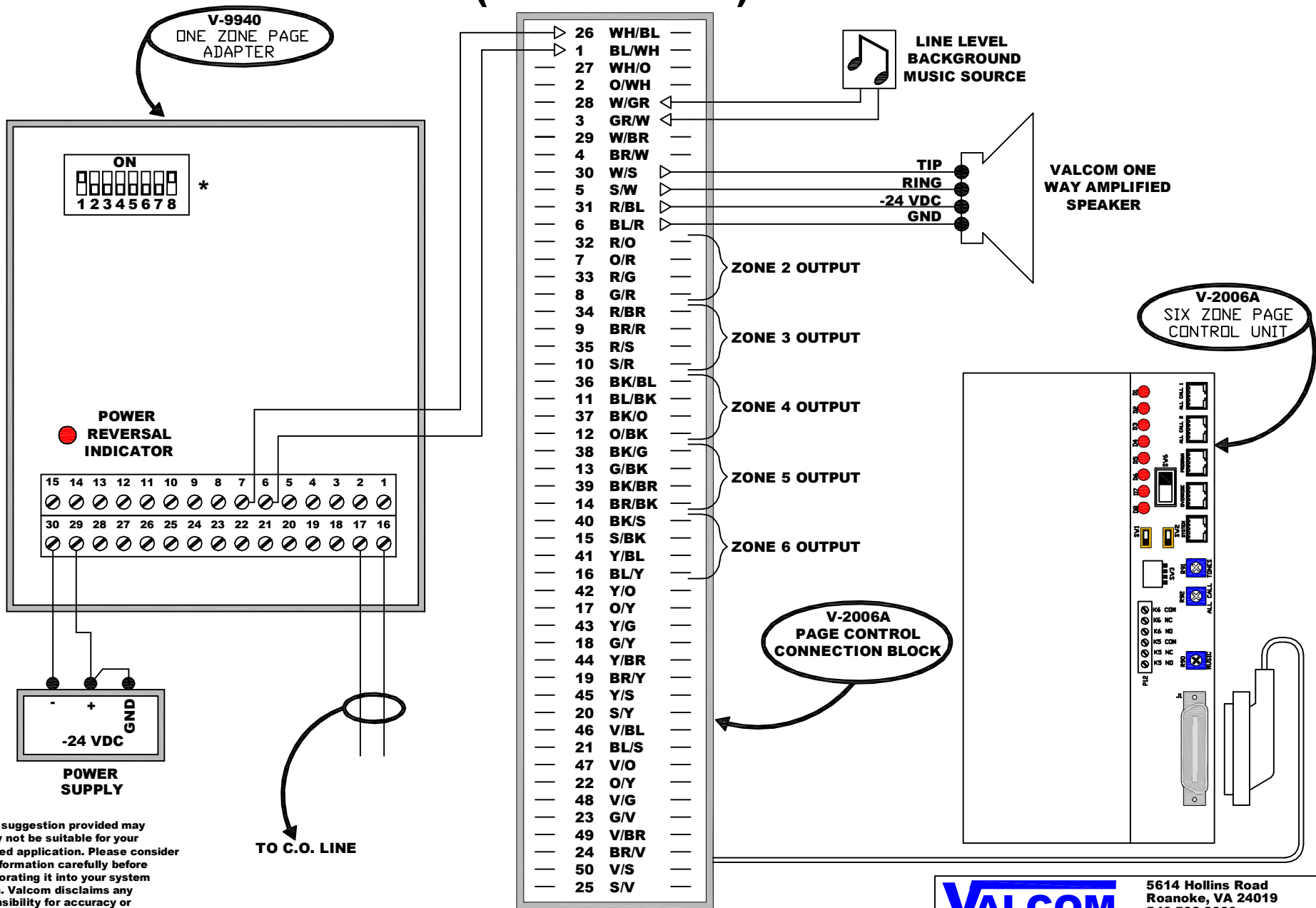


# CENTRAL OFFICE TO V-2006A CONNECTIONS (1 WAY PAGE)



**Note:** The suggestion provided may or may not be suitable for your intended application. Please consider this information carefully before incorporating it into your system design. Valcom disclaims any responsibility for accuracy or completeness.

	* V-9940								V-2006A
<b>SWITCH SETTING</b>	1	2	3	4	5	6	7	8	SW6
	ON	OFF	OFF	OFF	OFF	OFF	OFF	ON	ON

**VALCOM**

5614 Hollins Road  
Roanoke, VA 24019  
540-563-2000  
support@valcom.com

**T9940>2006A**